

safe · timeless · beautiful



markilux Conservatory Awnings

Shade - where you need it. Comforting coolness.
Intelligent technology. Colours to cater for every taste.
Discover the ideal markilux for you!

Enjoy the summer in style with markilux awnings.

www.markilux.com



markilux

Conservatory Awnings



Sunlight all year round is perhaps the most important factor that turns a pleasant room into a favourite one.

The classic conservatory, the glass-covered veranda, loggia or pergola: markilux conservatory awnings regulate the light influx that brightens your winter and cools your summer.

Whether fitted internally or externally, whether the area of glass is large or small, whether the roof is hipped or asymmetrical - the versatility and legendary quality of the markilux range of products are evident in the case of conservatory awnings as well as in all others.

Table of contents

markilux 780/880 Page 3	markilux 8000 Curved Unit Page 7	markilux Roof Festoon Page 10
markilux 889..... Page 4	markilux RS-8000 Page 8	Functionality + Technology .. Page 11
markilux 8000..... Page 6	markilux 8500..... Page 9	

Save energy by using solar protection systems

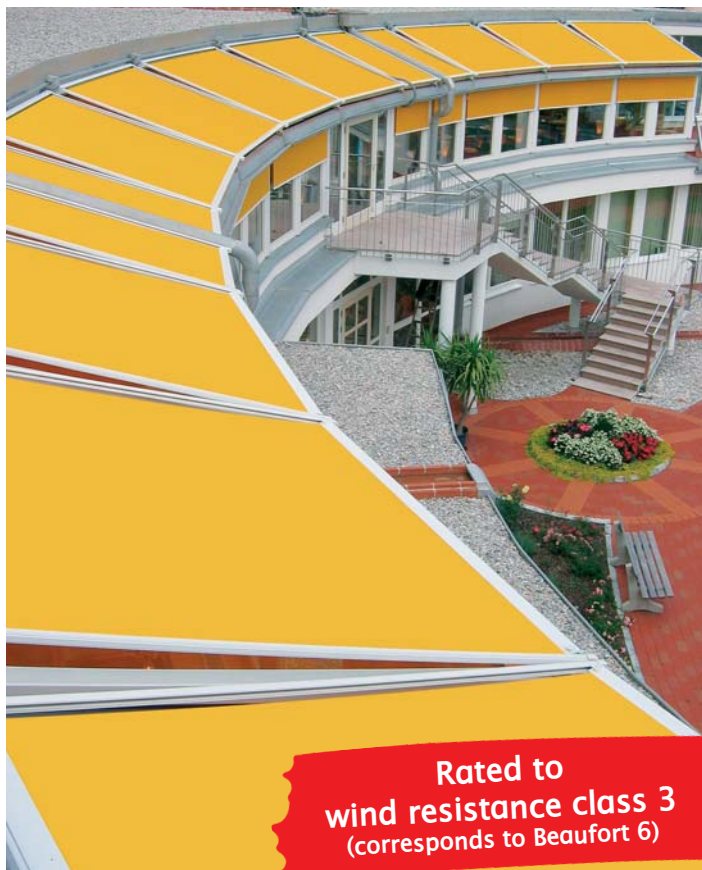
markilux awnings contribute to environmental protection

Effective heating systems, good insulation, modern energy-saving light bulbs - private households too can do a lot to reduce energy consumption and the emission of greenhouse gasses. One area that is often overlooked in this regard is solar shading. Though it is precisely here that with comparatively little investment much can be done to reduce the damaging emission of CO₂. The big advantage of shutters and solar shading lies in their flexibility. They can be put to use according to the time of day or year so that they positively influence the overall energy balance of a building.

Shading windows and glass areas in this way in the summer months results in a reduced use of air conditioning and in many cases even makes it superfluous. In the colder months exterior sunshading products can be retracted during the day to allow the energy supplied by the winter sun to bolster the building's central heating system. At night a combination of interior and exterior sunshading especially can assist in building up a cushion of air that will slow down the loss of heat to the exterior. The energy consumption for heating a house can be reduced by up to 10% in this way.

A current study undertaken by the European Solar Shading Organization (ES-SO), the umbrella organisation of the European Shutter and Solar Shading Association, attributes an enormous environmental protection potential to this use of solar shading: in total the emission of 111 million tonnes of CO₂ could be saved annually in Europe by the sensible use of solar shading alone. Of this 80 million tonnes would be prevented by reducing the use of air conditioning and 31 million tonnes by reducing demands for heating.





markilux 780/880

Amazingly compact and strong conservatory awnings - for small glass areas both externally and internally

When needed it is there and when you want to make the most of the sunshine it disappears inconspicuously into its cassette.

Cassette / Fixture:

It bears the weight of your markilux and is particularly sturdy. The awning is available up to an area of approx. 13 m². The continuous cassette profile makes it easy to fit in any situation. Larger units are fitted with an additional cover support tube to give even more stability to the cover. The awning is completely pre-assembled and is fitted using patented clip-on fixture brackets so installation is particularly quick.

Cover:

Awning covers made from acrylic or sunsilk snc as well as the special fabric transolair, that allows you to look outside and enjoy pleasant shade at the same time.

Dimensions:

Just as you wish. The maximum width is 400 cm at an extension of 250 cm. The maximum extension of 400 cm. can be achieved up to a width of 325 cm.

Operation:

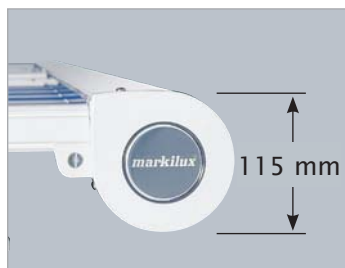
The awning is fitted as standard with manual operation (universal joint with bayonet fitting). Hard-wired or RTS motor operation is available on request.

Special features:

The tensioning system using a combined elastic and kevlar belt means that very high cover tension can be achieved when the awning is fully extended. If only partially extended the cover has a natural tendency to sag as a result of this design feature.



side view of the markilux 780



side view of the markilux 880



a cover support tube on larger units



the retracted cover is protected in the cassette

Optional accessories:



hard-wired motor or alternatively RTS motor with radio remote control



sun and wind sensor

Frame colours:



traffic white (RAL 9016)



metallic aluminium (RAL 9006)



grey brown (RAL 8019)



markilux 889

More and more people are deciding to cover their patio with a glass canopy: It allows light into the house, protects the outdoor furniture and even when it is raining it is still pleasant to sit outside.

A glass canopy alone, however, does not offer any protection against direct sunlight. With the new markilux 889 you can turn your covered patio into an elegant, shaded area where you can sit and relax.

The markilux 889 was developed especially to cover larger areas of glass; it is easy to operate and disappears quickly and unobtrusively inside its cassette - on those occasions when you prefer to feel the full warmth of the sun.

Optional accessories:



hard-wired motor
or alternatively
RTS motor with
radio remote
control

Frame colours:



traffic white
(RAL 9016)



metallic
aluminium
(RAL 9006)



grey brown
(RAL 8019)

We reserve the right to make alterations without giving prior notice.



markilux 889

An elegant under-glass awning will perfect the appearance of your glass canopy

The awning that provides shade for the glass canopy over your patio.

Cassette / Fixture:

The aluminium cassette is only 130 mm in height, extremely sturdy and self-supporting. The continuous guide track profile with patented clip-on bracket system and the pre-assembled delivery of the unit make it easy and quick to fit to the underside of the glass canopy.

Cover:

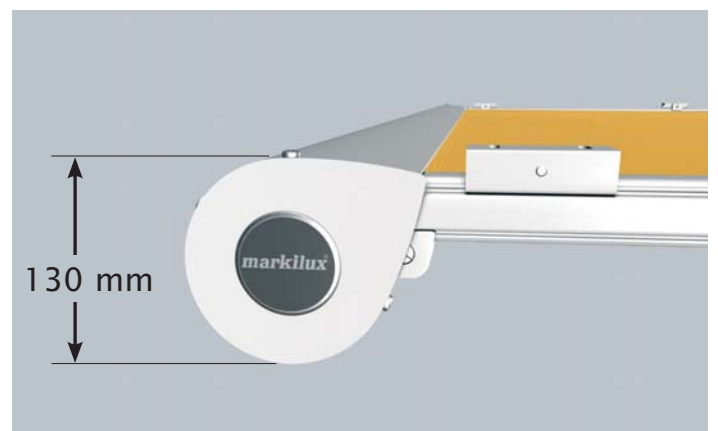
Awning covers made from acrylic or sunsilk snc as well as the special fabric transolair, that allows you to look outside and enjoy pleasant shade at the same time.

Dimensions:

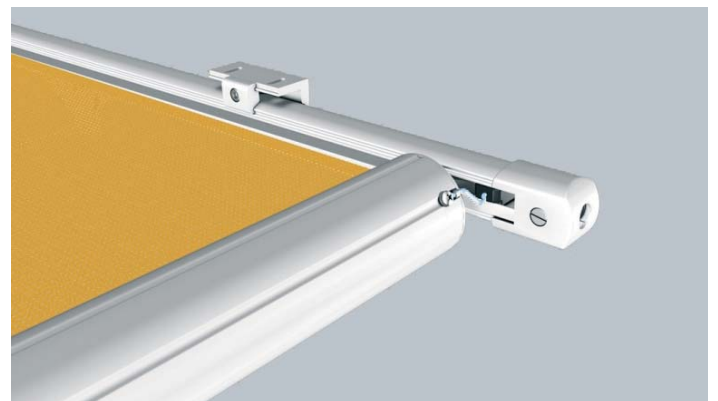
Just as you wish. The maximum width is 600 cm at an extension of 450 cm. At the maximum extension of 600 cm the maximum width is 325 cm. The vario tensioning system using a combined elastic and kevlar belt means that very high cover tension can be achieved when the awning is fully extended. If only partially extended the cover has a natural tendency to sag as a result of this design feature. Depending on the size up to 2 barely visible stainless steel wires limit excessive sag in the cover.

Operation:

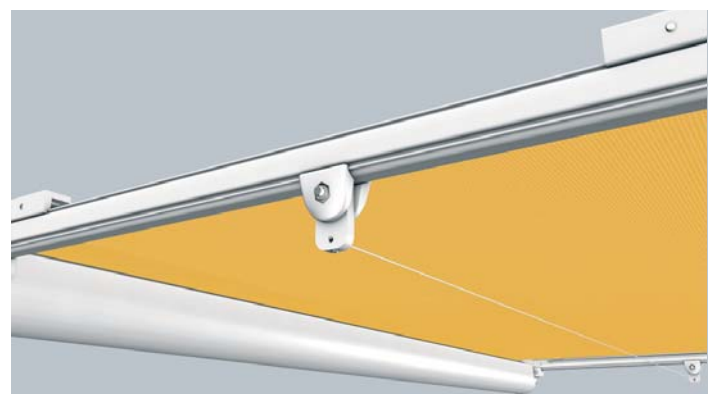
The system is supplied as standard with manual operation. A hard-wired motor with electronic limit switching or alternatively a radio-controlled motor with radio remote control are available as optional extras.



elegant, compact cassette



slim guide tracks 36mm in height and robust front profile 70mm in diameter



depending on the size up to 2 barely visible stainless steel wires limit excessive sag in the cover



markilux 8000

The conservatory shading system with proven technology for large glass areas

Up to three awning fields can be coupled.

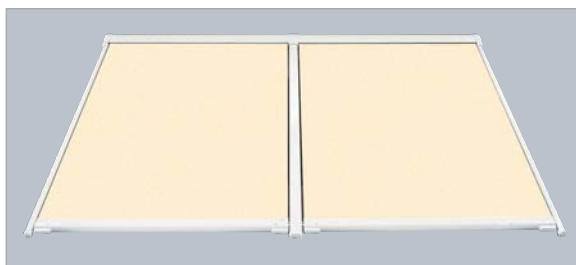
Rated to wind resistance class 3 (corresponds to Beaufort 6)



the cassette is elegant from every angle



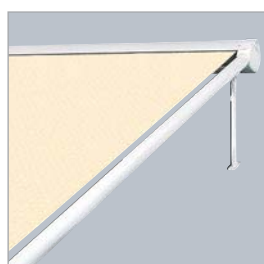
face fixture bracket with pivoting foot and wall sealing profile (optional)



coupled unit with central guide track



standard track fixture



raised fixture showing track brackets with pivot top

Cassette / Fixture:

This carries your markilux and is particularly sturdy. Awnings up to an area of 36 m² are available as single units. Units from a width of 650 cm will be coupled, but will have only one central guide track to facilitate installation. The pre-assembled system and patented clip-on brackets make it especially easy.

Cover:

Awning covers made of either acrylic or sunsilk snc fabrics are available. Perfotex - which uses the the unique wind and water permeable open weaving technique - can be especially recommended.

Extension:

The maximum extension is 7m (up to a width of 5 metres). The guide track can extend 100 cm past the final support bracket.

No. of fields	No. of motors
2	1
2	2*
3	2

* can be operated independently

Operation:

Electric operation is standard. In the case of more than one field more than one motor (which can be operated independently) may be necessary (v. table).

Mechanics:

Two gas piston modules independently keep the cover under perfect tension. An extremely strong front profile minimises the sag in cover and profile.

Special features:

Due to its own weight a certain amount of sag in the cover is possible. This will increase when the cover is wet. For this reason a cover support tube is supplied with larger units. We also recommend a cover support tube be used if the awning is installed with little pitch.

Optional accessories:



hard-wired motor or alternatively RTS motor with radio remote control



sun and wind sensor

Frame colours:



traffic white (RAL 9016)



metallic aluminium (RAL 9006)



grey brown (RAL 8019)



markilux 8000 with curved front

The markilux conservatory awning that "goes round the bend"

From a simple "sun trap curve" to a full drop-fronted unit everything is possible to create that favourite, shaded spot in the conservatory.

Rated to wind resistance class 3 (corresponds to Beaufort 6)



8000 with curved front



Construction and Design

This awning offers and does everything that makes the markilux 8000 excel. The awning cover is guided round the curve by the relieving rollers:

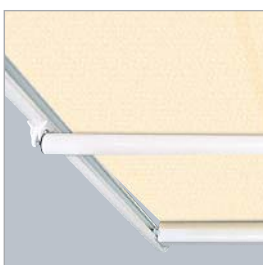
curve angle	relieving rollers
up to 30°	1
31° to 60°	2
61° to 85°	3



relieving rollers



curved unit with suntrap bend



cover support tube



patented clip-on bracket fixture

Optional accessories:



hard-wired motor or alternatively RTS motor with radio remote control



sun and wind sensor

Frame colours:



traffic white (RAL 9016)



metallic aluminium (RAL 9006)



grey brown (RAL 8019)



Scala, Münster

markilux RS-8000 Frame System

The sturdy substructure for large sun protection units.

The markilux RS-8000 frame system is the practical, safe and sturdy substructure to which the markilux 8000 conservatory awning can be fitted if no conservatory is available - wherever, in fact, large areas are waiting to be shaded. All profiles and connecting components are modular in design and can be assembled with ease.

Fixture and installation:

This markilux system stands free at the front on sturdy legs and is fitted to the wall at the back. All profiles and connecting components are modular in design and can be assembled with ease.

Material

The frame system consists of aluminium profiles, stabilising connectors and footplates and are galvanised and powder coated. Gutter profiles are available as an optional accessory (surcharge) if required.

Dimensions:

The markilux RS-8000 can accept up to a maximum of 3 markilux 8000 awnings and an extension of up to 700 cm is possible.



face fixture from 0 - 30° pitch possible



footplate with upright



coupling joint with gutter profile



side gutter with stabilising corner plate



front gutter



markilux RS-8000 and markilux 8000 with gutter profiles.

Frame colours:



traffic white (RAL 9016)



metallic aluminium (RAL 9006)



grey brown (RAL 8019)



markilux 8500

The conservatory awning with indented guide tracks for bevel-edged conservatories

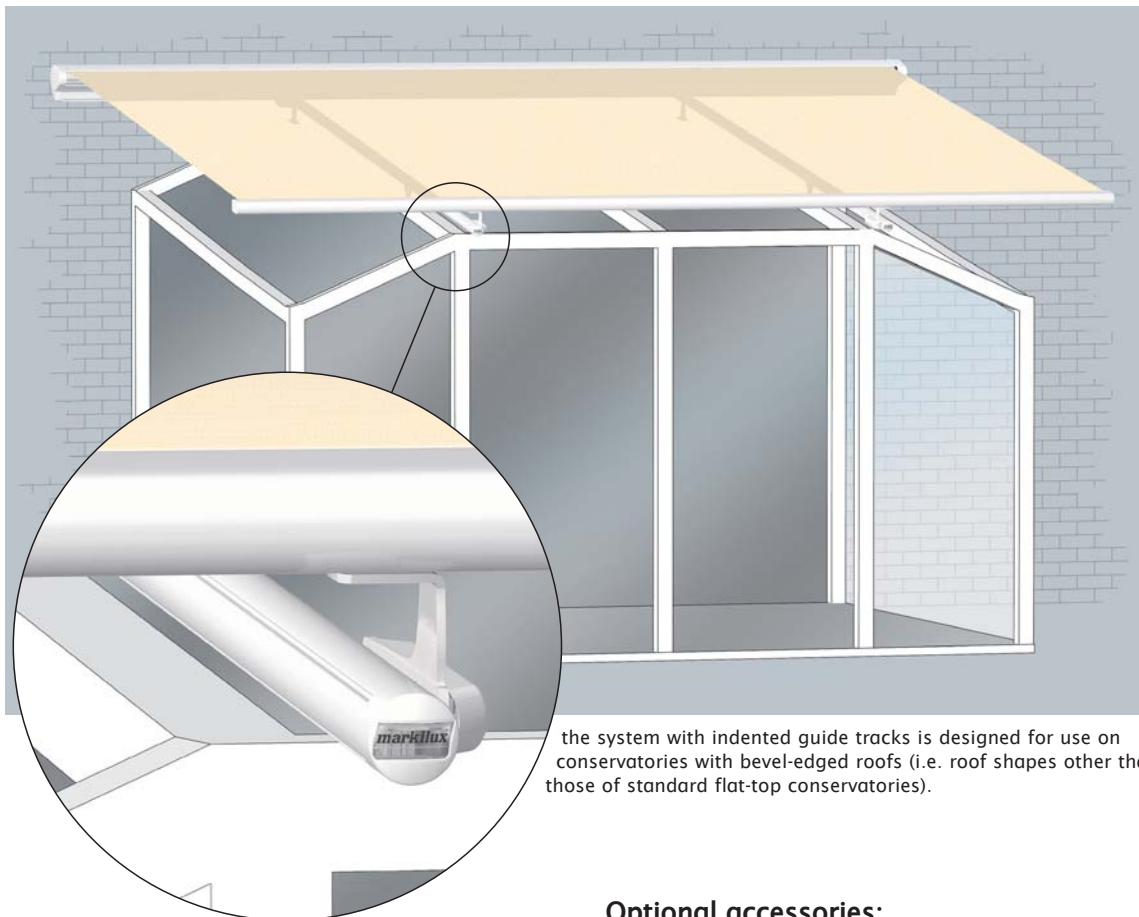
If your conservatory does not have that classical square shape - with its indented guide tracks the markilux 8500 can even shade bevel-edged or Victorian conservatories.

Construction and Design

In essence the markilux 8500 offers the same advantages as the markilux 8000. The indented guide tracks, however, make it possible to fit the awning to conservatories with bevel-edged roofs and to other non-typical conservatory shapes with ease.

Dimensions

A single unit can shade an area of up to 25 m². The tracks can be indented up to a maximum of 120 cm and the guide tracks can extend 100 cm past the last support bracket.



the system with indented guide tracks is designed for use on conservatories with bevel-edged roofs (i.e. roof shapes other than those of standard flat-top conservatories).

Optional accessories:



hard-wired motor or alternatively RTS motor with radio remote control



sun and wind sensor



Elegant cassette shape

Frame colours:



traffic white (RAL 9016)



metallic aluminium (RAL 9006)



grey brown (RAL 8019)



markilux Roof Festoon

Give functional airiness and a homely atmosphere to your interior shading

It is exclusively for interior use but as such lends a unique atmosphere to the room or conservatory. A roof festoon keeps out the heat in summer and keeps the cold at bay in winter.

Fixture:

Tensioned supporting wires (v. table below left) not only enable the festoon to be fitted securely but also give it its characteristic look.

Cover:

Special roof festoon fabrics are fade resistant and anti-static, air permeable, washable up to 40°C, non-shrinking and above all permanently flame retardant according to DIN 4102 B 1/M1 non feu/Classe 1/BS 5486.

Dimensions:

The markilux Roof Festoon can be manufactured up to a maximum size of 23m². The maximum width is 5m and the maximum extension 6m 10cm.

Operation:

The festoon can be fitted with either manual cord pulley operation or a motor (surcharge). From a width of 450 cm it will only be supplied with a motor. Manual operation of the roof festoon will work perfectly up to a pitch of 20°. Motorised operation is only possible when the unit is flat.

markilux Roof Festoon support wires:

	Driven by cord pulley system or motor							Driven by motor only		
	width (cm)	100*	150	200	250	300	350	400	450	500
support wires		2	3	3	4	4	5	5	6	6

* instead of cord pulley system, also available with hooked staff.

markilux Roof Festoon retracted

Extension	Depth of retracted material
up to 234 cm	approx. 18 cm
up to 422 cm	approx. 26 cm
up to 610 cm	approx. 38 cm

Of course, all intermediate sizes in width and extension are also available.

Optional accessories:



hard-wired motor or alternatively RTS motor with radio remote control

Frame colours:



traffic white (RAL 9016)



metallic aluminium (RAL 9006)



grey brown (RAL 8019)

A **markilux** can do more. A lot more!

Discover your dream model. It is your choice:

RTS motor and remote operation



You need to be on the button: With a comfortable electric motor your markilux will react at the press of a button. The ideal addition to this is the new markilux handheld remote control - elegant, ergonomically shaped and above all practical!

sun and wind sensor



The intelligent automatic weather control: You can lean back and watch your markilux react to every change in the weather. The automatic sensors ensure that your markilux extends when the sun comes out and retracts if the wind speed exceeds a safe level. A practical aid to help prevent the rooms in your house heating up too much.

Safety

So that you can enjoy the use of your favourite place in the shade without a care markilux awnings have been tested in line with the European Standard EN 13561 at wind speeds up to Beaufort 5 (some models and sizes up to wind resistance class 3, corresponds to Beaufort 6). The CE mark confirms the achievement of this safety and quality standard.



bonded covers



For an improved appearance: awning covers made using the ultrasonic bonding process do not just offer a perfect, seamless appearance, they are also more resistant to water and wear. (not for the markilux 8000/8500/Roof Festoon).



sunsilk snc

It is a priceless experience when the new **sunsilk snc** fabrics with their outstanding colour brilliance bathe your patio or the adjacent rooms in a warm, soothing light and a luminous shade. This is the result of years of research. We have managed to guarantee high resistance to the effects of ultraviolet light for finely dyed fabrics. This characteristic has been attributed only to customary acrylic fabrics up till now. The new sunsilk snc fabrics are thinner, smoother and lighter than acrylic awning material. Nevertheless their technical specifications are equal in all respects and very often even superior to those of acrylic fabrics. sunsilk snc, the innovative awning material with self-cleaning effect in rain (a minimum pitch of 14° is required to ensure water drainage). The highly dirt-repellent finish ensures long lasting colour brilliance.

Even more markilux?

Here is even more: In the brochure on balcony and patio awnings you will find a wealth of great ideas for creating your favourite spot in the shade. Ask your dealer or order your free copy via the internet under: www.markilux.com

safe · timeless · beautiful

markilux awning fabrics

An interaction of light and colour. Full of luminosity and harmony. For a shade brimming with natural colours. Stylish, modern. For summer's and winter's dreams in plain and bold colour combinations. For a perfect lifestyle. Carefully chosen patterns and fabric qualities make your markilux even more attractive.

Discover the many possibilities.

www.markilux.com

200 brightly coloured fabrics

Acrylic or sunsilk snc - no matter which you prefer, the choice is yours. Your markilux dealer will make the whole markilux collection available to you. Detailed information can be found in our brochure "markilux awning fabrics" (Order No. 7609492).

safe · timeless · beautiful

markilux Patio and Balcony Awnings

Live in comfort, in style and with that personal touch. Quality that meets the highest demands. Find the perfect model for you.

Enjoy the summer in style with markilux awnings.

www.markilux.com

safe · timeless · beautiful



markilux awnings are quality products from

www.markilux.com



7609040 04/09 · We reserve the right to make alterations without giving prior notice.